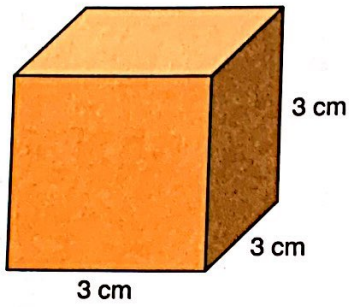




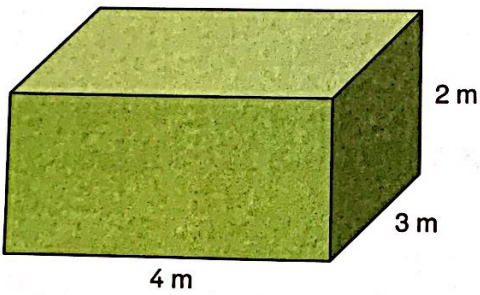
① Berechne die Rauminhalte.



$$V = a \cdot a \cdot a$$

$$V = 3 \text{ cm} \cdot \underline{\hspace{2cm}} \cdot \underline{\hspace{2cm}}$$

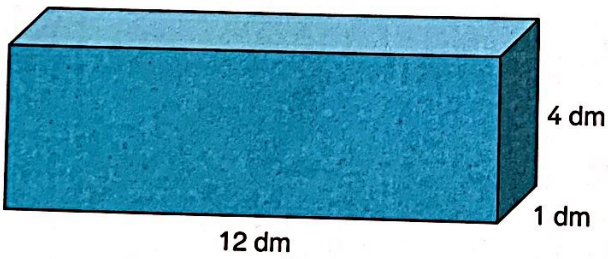
$$V = \underline{\hspace{4cm}}$$



$$V = a \cdot b \cdot c$$

$$V = \underline{\hspace{2cm}} \cdot \underline{\hspace{2cm}} \cdot \underline{\hspace{2cm}}$$

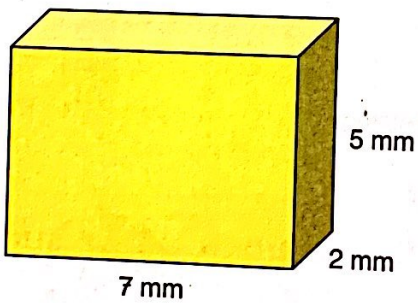
$$V = \underline{\hspace{4cm}}$$



$$V = \underline{\hspace{4cm}}$$

$$V = \underline{\hspace{4cm}}$$

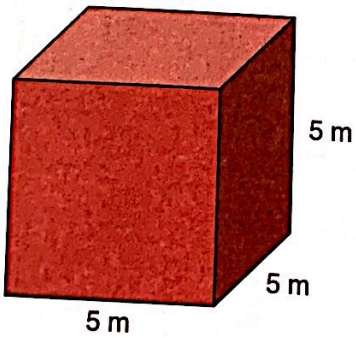
$$V = \underline{\hspace{4cm}}$$



$$V = \underline{\hspace{4cm}}$$

$$V = \underline{\hspace{4cm}}$$

$$V = \underline{\hspace{4cm}}$$

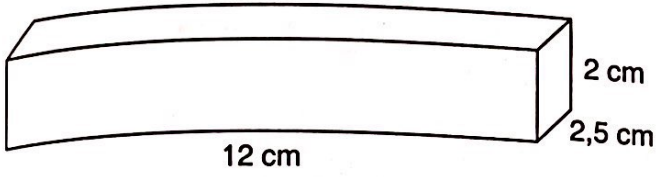


$$V = \underline{\hspace{4cm}}$$

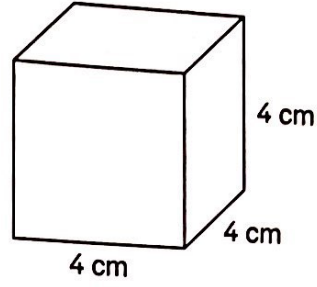
$$V = \underline{\hspace{4cm}}$$

$$V = \underline{\hspace{4cm}}$$

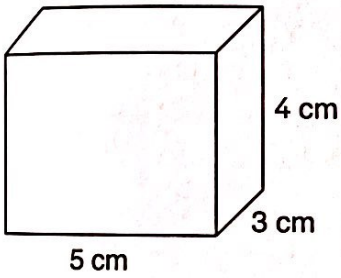
② Welche Körper haben das gleiche Volumen?
Male sie mit derselben Farbe an.



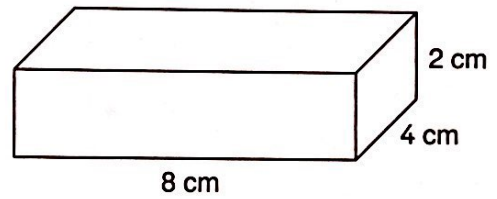
V = _____
V = _____
V = _____



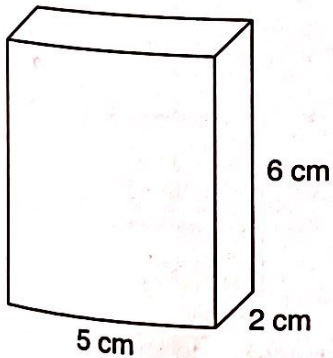
V = _____
V = _____
V = _____



V = _____
V = _____
V = _____



V = _____
V = _____
V = _____



V = _____
V = _____
V = _____